



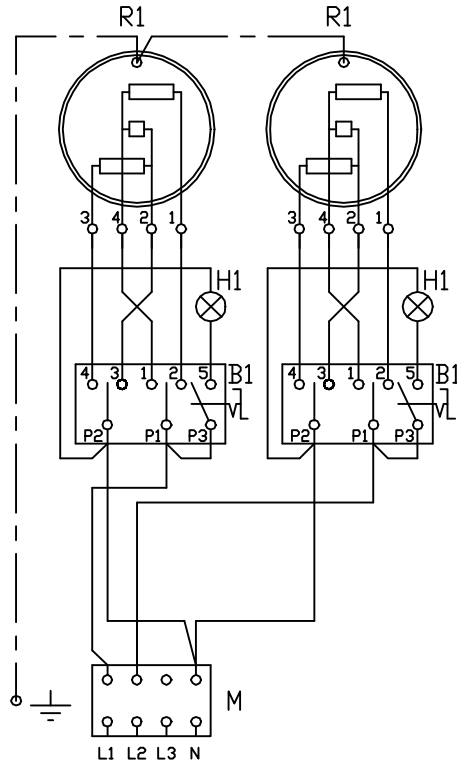
S.VENDEMIANO (TV)

PIANO DI COTTURA ELETTRICO  
FORNEAUX ELECTRIQUES  
ELEKTROHERDE  
ELECTRIC BOILING PLATES

MOD.65/40 PCE  
PCE/40A  
70/40 PCE

CODICE  
251.071.00

DATA 15.04.98



- M -MORSETTIERA ARRIVO LINEA \_ JUNCTION BOX POWER INLET \_\_\_\_\_ ( PA 44 ) COD: 663.018.00  
 BORNES ARRIVEE LIGNE \_ANSCHLUSSBRETT
- B1 -COMMUTATORE \_ CHANGE OVER SWITCH \_\_\_\_\_ ( EGO 49.27215.746 ) COD: 661.002.00  
 COMMUTATEUR \_ UMSCHALTER
- H1 -LAMPADA SPIA VERDE \_ GREEN PILOT LIGHT \_\_\_\_\_ COD: 663.000.00  
 LAMPE TEMDIN VERT \_ GRUNE KONTROLLAMPE
- R1 -PIASTRA ELETTRICA \_ ELECTRIC COOKING PLATE \_\_\_\_\_ (2,6kW - 240 V ) COD: 665.006.00  
 PLAQUE ELECTRIQUE \_ ELEKTRO KOCHPLATTE

SUS TIUISSE PAKI NUMERU JEL 19/01/98

POTENZA TOTALE - TOTAL POWER  
 PUISSANCE TOTAL - ANSCHLUSSWERT

4,8kW 400V+3N~ 10,3A 50HZ